

# TEMPERATURE

## 1000 OHM 375 PLATINUM AVERAGING SENSORS ST-AV91H



**MINCO**

### DESCRIPTION

The Minco continuous resistance element ST-AV91H 1000Ω 375 Platinum Averaging RTD Sensors provide accurate sensing of duct temperatures when a large area must be covered. Temperatures are averaged over the entire length and terminate in a weather resistant housing. The ST-AV91H uses an element that closely matches platinum resistance/temperature characteristics over the specified range. The sensors have a copper case that is bendable to a radius of 4" (10.2 cm). They can crisscross a duct or plenum to average out temperature stratification.

### FEATURES

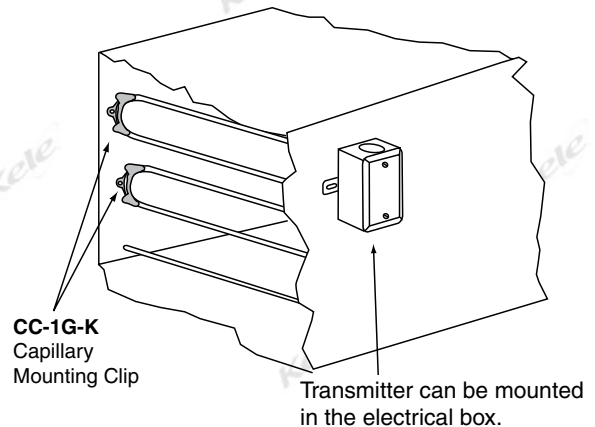
- Continuous averaging
- Flexible copper probe
- 12' (3.7m), 24' (7.3 m) or 50' (15.2 m) lengths
- Weather resistant box
- 1,000 ohm 375 sensor



### SPECIFICATIONS

<b>Accuracy</b>	±0.54°F (±0.30°C)
<b>Sensor Type</b>	1000Ω ±0.25% @ 32°F (0°C)
<b>Temperature Range</b>	-40° to 240°F (-40° to 115°C)
<b>Temperature Coefficient</b>	0.00375Ω/Ω/°C platinum curve
<b>Sensitivity</b>	2.1Ω/°F @ 32°F (0°C)
<b>Operating Temperature</b>	-40° to 240°F (-40° to 115°C)
<b>Element Casing</b>	Copper 0.19" dia. (0.48 cm)
<b>Sensor Length/Weight</b>	24 ft (7.3m); 1.95 lb (0.88 Kg) 12 ft (3.7m); 1.31 lb (0.59 Kg) 50 ft (15.2m); 3.6 lb (1.63 Kg)
<b>Enclosure Rating</b>	NEMA 4, Metal weather resistant
<b>Wiring Terminations</b>	22 AWG, Teflon insulated
<b>Warranty</b>	3 years

### DIMENSIONS



### ORDERING INFORMATION

MODEL	DESCRIPTION
ST-AV91H-12	Platinum averaging duct sensor 12' (3.7m)
ST-AV91H	Platinum averaging duct sensor 24' (7.3m)
ST-AV91H50	Platinum averaging duct sensor 50' (15.2m)

RELATED PRODUCTS	
CC-1G-K	Plastic capillary and sensor holder mounting clip
M-648-K	Copper-clad capillary mounting clip
T90PNR Series	Temperature transmitter for type 91, 375 platinum curve sensors, cover mounted
T91U Series	Temperature transmitter for type 91, 375 platinum curve sensor, track mounted